

**Description**

RD-TPD1 digital time switch is used for realization of time functions in the control systems and automation. It operates according to the set time schedule planned by the user. There is an internal battery which can protect real time clock and all the settings when the electric power supply is off.

**Features**

- Digital time switch with weekly and pulse program
- 3years power reserve(lithium battery).
- 52 programs
- Sealable cover of the front panel, easy setting by 4 keys.
- Automatic summer/winter time switchover
- Backlighted LCD display
- Holiday mode.
- Multilanguage
- Manual control by keys(AUTO,MANUAL,PERM ON, PERM OFF)
- Automatic transfer of weekdays
- 220-240VAC input supply.
- Double-module, mounted on TH-35 rail.

**Technical data**

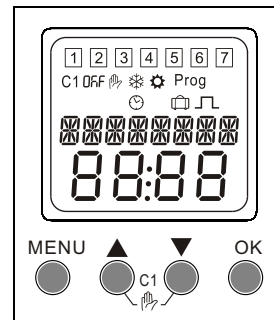
Supply terminals	A1-A2
Rated voltage	AC 220-240V
Rated frequency	50/60Hz
Power consumption	1W
Supply voltage tolerance	±10%
Number of channels	1
Number of programs	52
Program	weekly, daily, pulse
Operating modes	manual, automatic, holiday
Summer/winter time	off, automatic changes
Time tolerance	= 1s/day at 25°C
Power reserve	3 years
Data readout	LCD display
Number of contacts	1 C/O
Current of contacts	16A/250V AC1
Switching capacity	4000VA/AC1, 384W/DC
Mechanical life	10 <sup>6</sup>
Electrical life	10 <sup>5</sup>
Rated insulation voltage	250V
Protection degree	IP20
Pollution degree	3
Altitude	=2000m
Ambient temperature	-20°C~55°C
Permissible relative humidity	=50%(40°C,without condensation)
Storage temperature	-30°C~70°C
Wire size	1mm <sup>2</sup> ~ 4mm <sup>2</sup>
Tightening torque	0.5Nm
Mounting	TH-35 Rail(EN60715)
Dimensions	90*36*64mm
Standard	IEC/EN 60730-1/IEC/EN 60730-2-7

**Maximum pilotable power**

2300W	2300W	1000W	500W	500W

**Operating instruction**

**Panel**



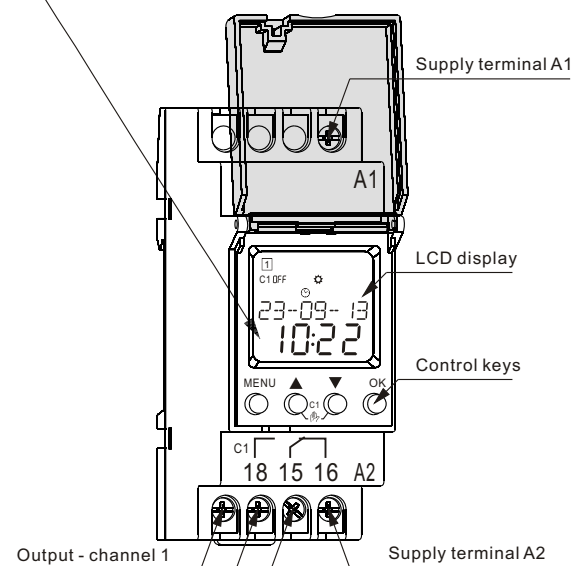
**Symbol legend**

- 1 2 3 4 5 6 7 — Days of the week Monday, Tuesday, ...Sunday
- C1 — Channel 1
- OFF — Relay status
- ⏰ — Automatic mode
- ☞ — Manual mode
- 🏠 — Holiday mode
- ❄️ — Winter time
- ⚙️ — Summer time
- Prog — Program setting
- ⏏️ — Pulse setting

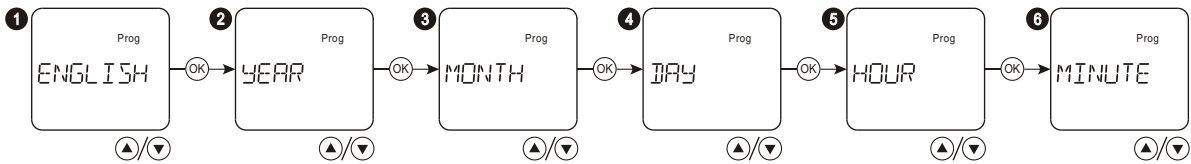
**Keys**

MENU		OK		Confirm selection
	Select menu Digit +		Select menu Digit -	
	C1 manual operation			

23-09-13 DD MM YY, 23th. September. 2013



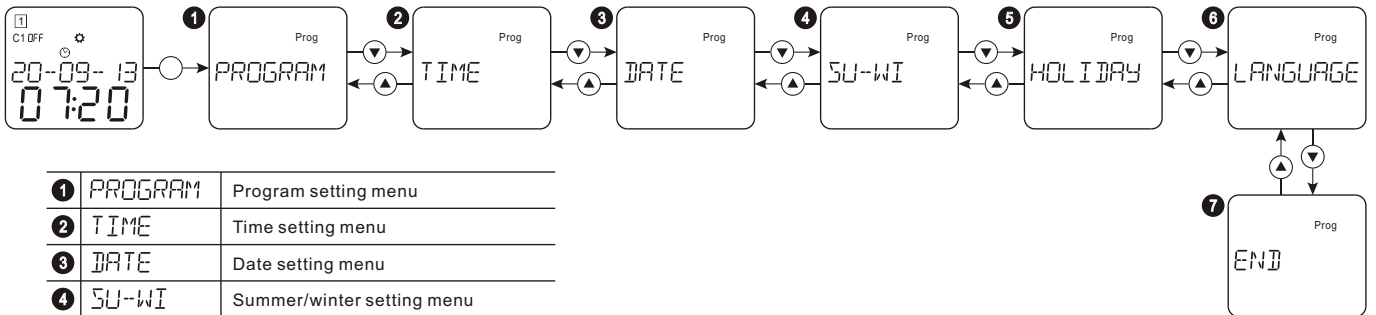
## □ Initial operation



- ❶ Select the desired language with “▲▼” keys and press “OK” key.
- ❷ Select adequate year with “▲▼” keys and press “OK” key.
- ❸ Select adequate month with “▲▼” keys and press “OK” key.
- ❹ Select adequate day with “▲▼” keys and press “OK” key.
- ❺ Select adequate hour with “▲▼” keys and press “OK” key.
- ❻ Select adequate minute with “▲▼” keys and press “OK” key.

Note: If the settings were not ended and no operation by keys for 2 minutes, device will return to *ENGLISH* menu.

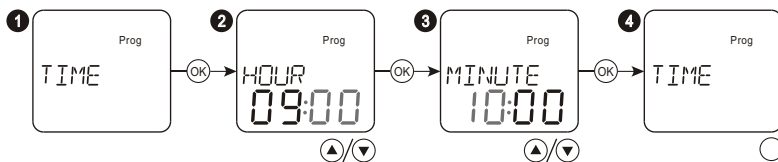
## □ Main menu



❶	<i>PROGRAM</i>	Program setting menu
❷	<i>TIME</i>	Time setting menu
❸	<i>DATE</i>	Date setting menu
❹	<i>SU-WI</i>	Summer/winter setting menu
❺	<i>HOLIDAY</i>	Holiday mode setting menu
❻	<i>LANGUAGE</i>	Language setting menu
❼	<i>END</i>	End settings and exit from menu

- Press **MENU** key to enter menu setting, and symbol **Prog** appears.
- If not pressing any keys for 2 minutes, the device will automatically exit from setting.
- Select the desired menu by pressing “▲▼” keys.

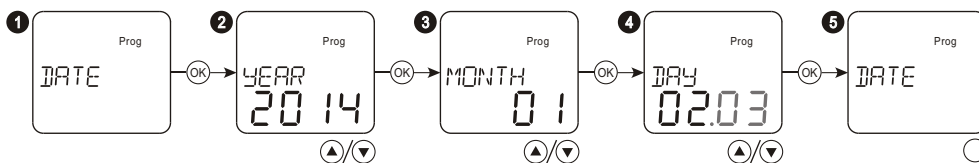
### ● Set time



- ❶ Select **TIME** and press “OK” key.
- ❷ Select adequate hour with “▲▼” keys and press “OK” key. adjusting range is 0~23.
- ❸ Select adequate minute with “▲▼” keys and press “OK” key. adjusting range is 0~59.
- ❹ Return to last menu by pressing “MENU” key.

Long press ▲ 0.5s, increase the numerical value rapidly  
 Long press ▼ 0.5s, decrease the numerical value rapidly

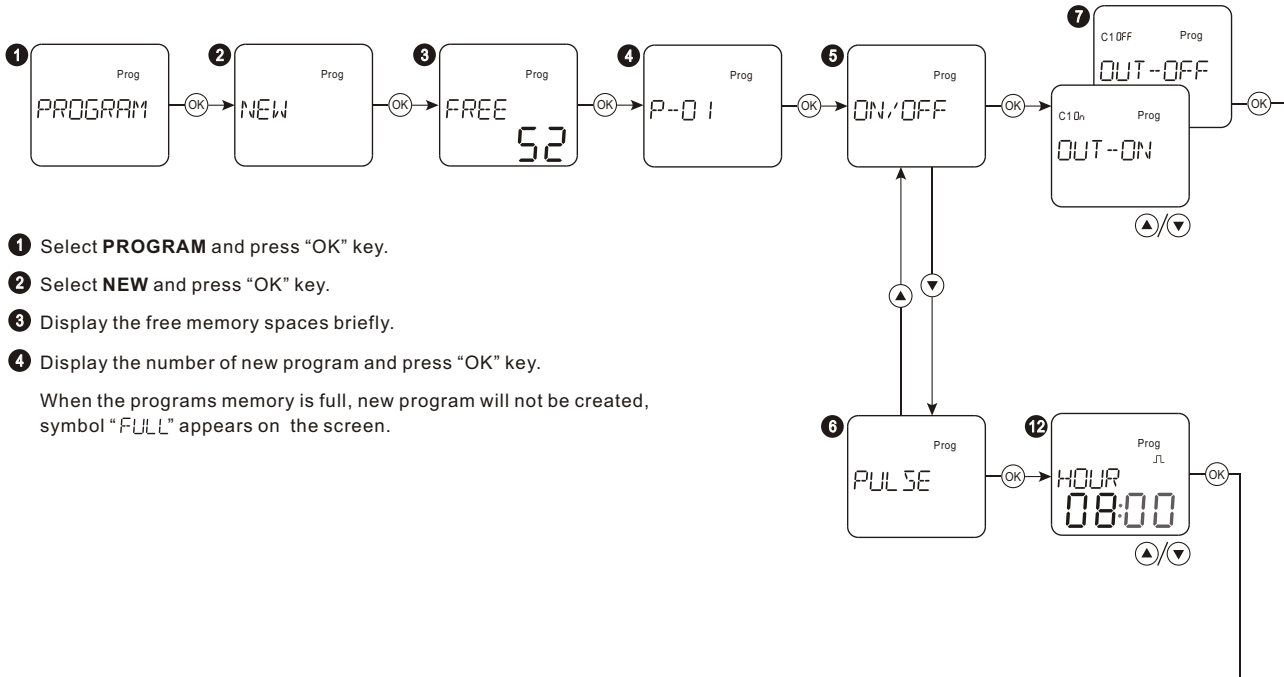
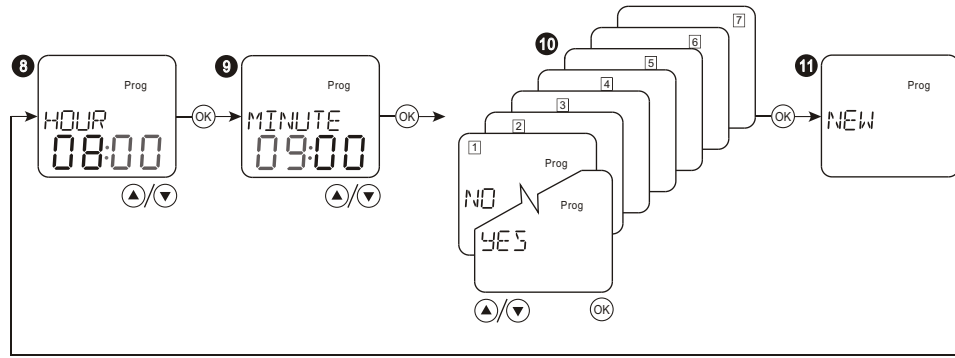
### ● Set date



- ❶ Select **DATE** and press “OK” key.
- ❷ Select adequate year with “▲▼” keys and press “OK” key. adjusting range is 2000~2095.
- ❸ Select adequate month with “▲▼” keys and press “OK” key.
- ❹ Select adequate day with “▲▼” keys and press “OK” key.
- ❺ Return to last menu by pressing “MENU” key.

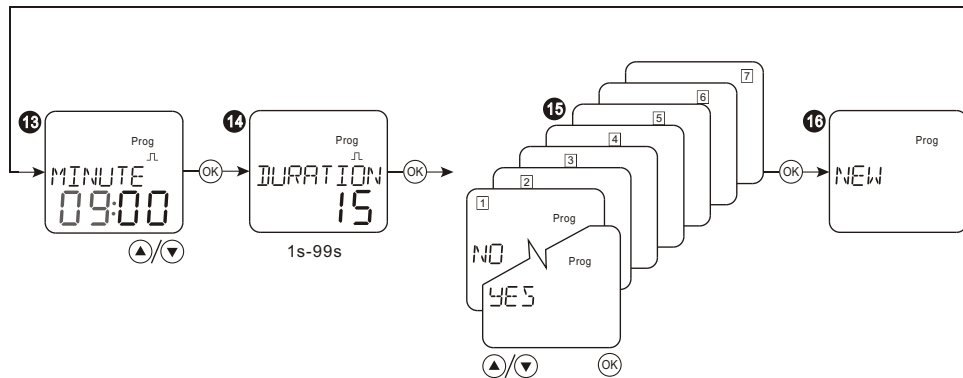
Long press ▲ 0.5s, increase the numerical value rapidly  
 Long press ▼ 0.5s, decrease the numerical value rapidly

● Create a new program



- 1 Select **PROGRAM** and press "OK" key.
- 2 Select **NEW** and press "OK" key.
- 3 Display the free memory spaces briefly.
- 4 Display the number of new program and press "OK" key.

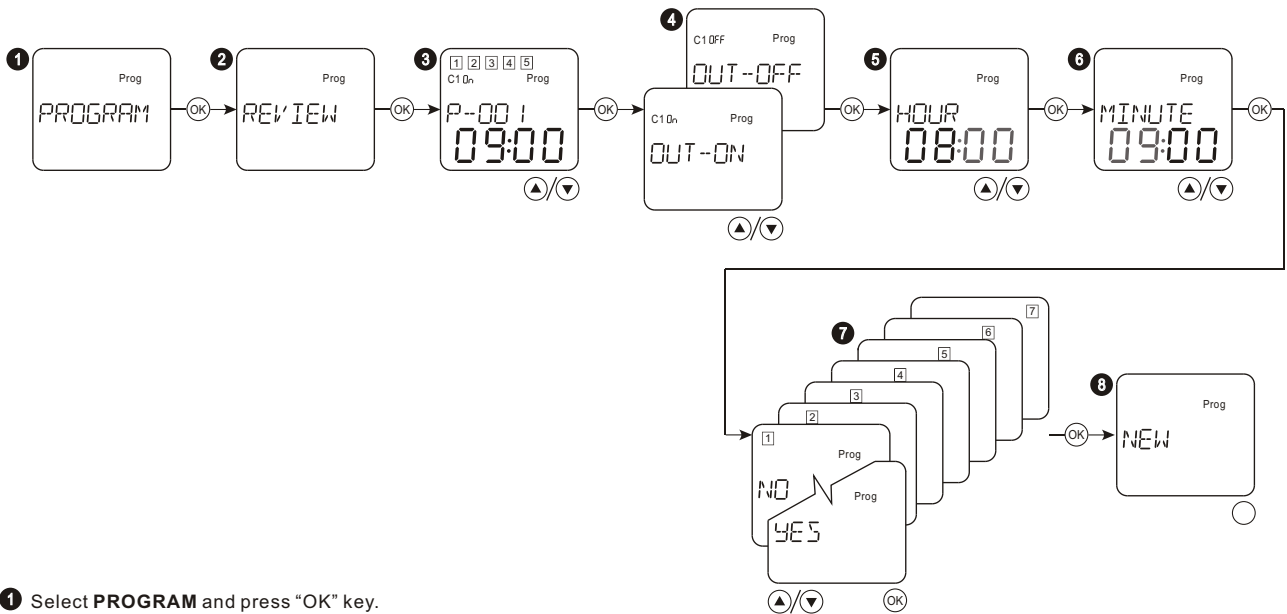
When the programs memory is full, new program will not be created, symbol "FULL" appears on the screen.



- 5 Select **ON/OFF** mode.
- 6 Select **PULSE** mode.
- 7 Display the output state of channel 1. Select **OUT-ON** or **OUT-OFF** with "▲▼" keys and then press "OK" key.
- 8 12 Set the hour with "▲▼" keys and press "OK" key.
- 9 13 Set the minute with "▲▼" keys and press "OK" key.
- 10 15 Set the program activity on a week day( from Monday to Sunday) with "▲▼" key  
If **YES** is selected, program operation is enabled for flashing day. If **NO** is selected, program is not used for flashing day.
- 11 16 Return to last menu by pressing "MENU" key.
- 14 Set the duration of pulse, setting range is 1-99s.

Long press ▲0.5s, increase the numerical value rapidly  
 Long press ▼0.5s, decrease the numerical value rapidly

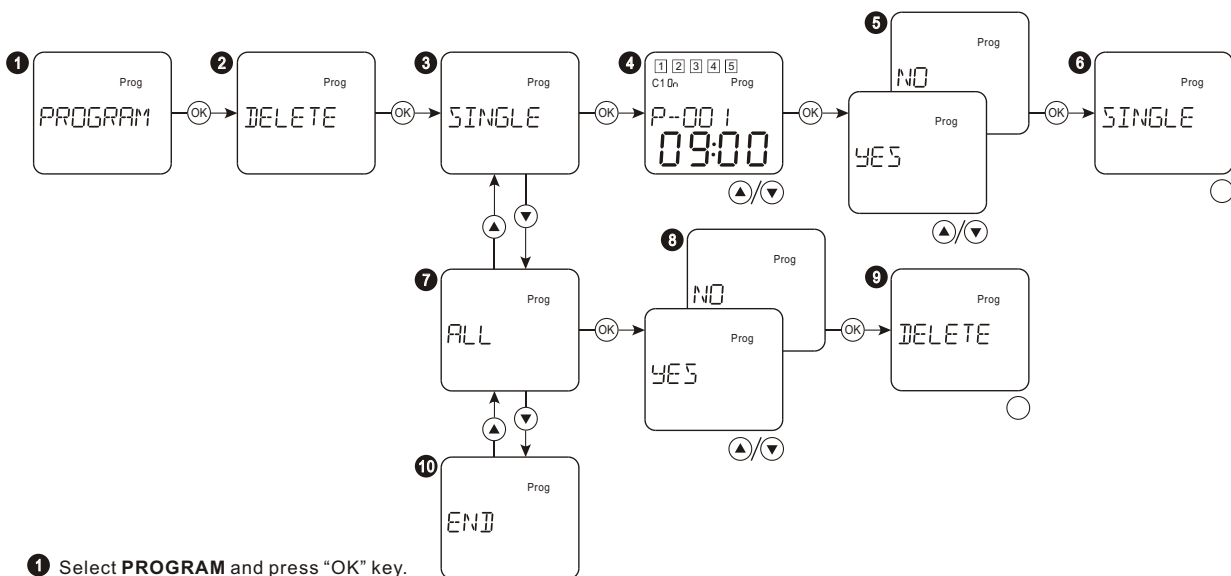
## ● Modify a program



- 1 Select **PROGRAM** and press "OK" key.
- 2 Select **REVIEW** and press "OK" key.
- 3 Select the desired program with "▲▼" keys and press "OK" key.
- 4 Display the output state of channel 1. Select **OUT-ON** or **OUT-ON** with "▲▼" keys and then press "OK" key.
- 5 Set the hour with "▲▼" keys and press "OK" key.
- 6 Set the minute with "▲▼" keys and press "OK" key.
- 7 Set the program activity on a week day( from Monday to Sunday) with "▲▼" keys.  
If **YES** is selected, program operation is enabled for flashing day. If **NO** is selected, program is not used for flashing day.
- 8 Return to last menu by pressing "MENU" key.

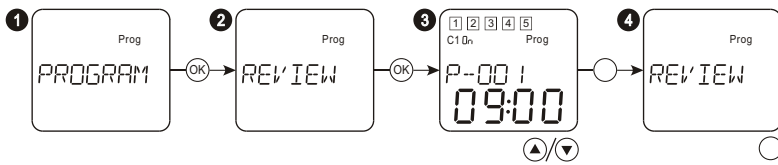
Long press ▲0.5s, increase the numerical value rapidly  
Long press ▼0.5s, decrease the numerical value rapidly

## ● Delete a program



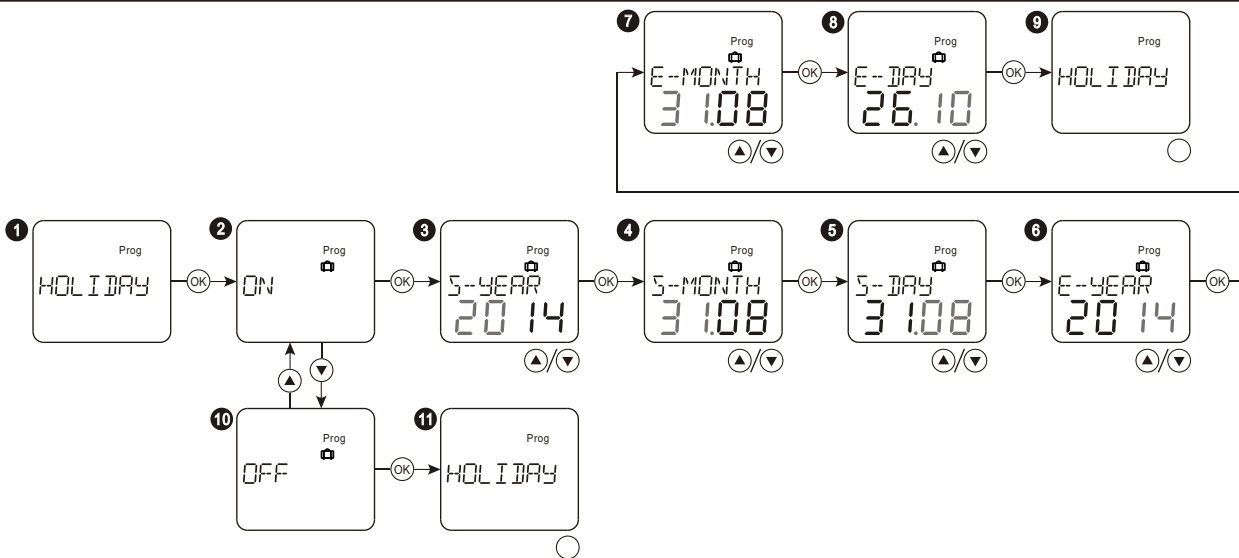
- 1 Select **PROGRAM** and press "OK" key.
- 2 Select **DELETE** and press "OK" key.
- 3 Select **SINGLE** to delete single program and press "OK" key.
- 4 Select the desired program with "▲▼" keys and press "OK" key.
- 5 Select **YES** or **NO** with "▲▼" keys and press "OK" key.
- 6 Return to **SINGLE** sub-menu, Exit from the setting by pressing " Menu".
- 7 Select **ALL** to delete all programs and press "OK" key.
- 8 Select " **YES** " or " **NO** " with "▲▼" keys and press "OK" key.
- 9 Return to **DELETE** sub-menu, Exit from the setting by pressing "MENU".
- 10 End program setting.

● Check a program



- 1 Select **PROGRAM** and press "OK" key.
- 2 Select **REVIEW** and press "OK" key.
- 3 View the operation of the set programs with "▲▼" keys and press "OK" key.
- 4 Exit from the setting by pressing "MENU" key.

● Holiday program

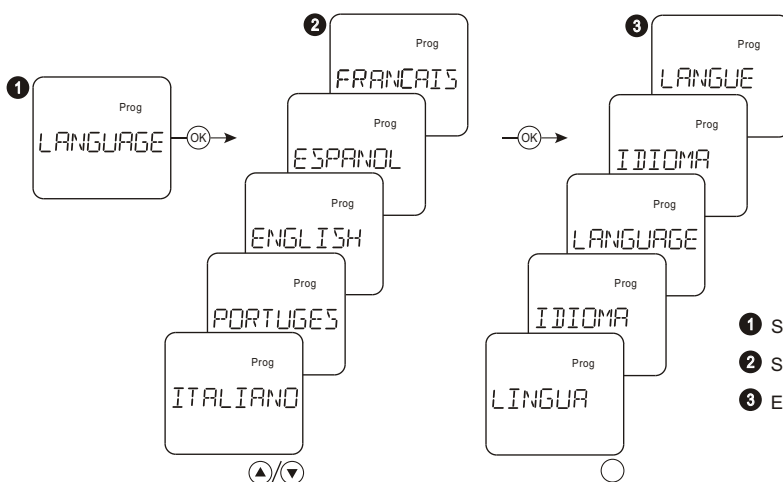


- 1 Select **HOLIDAY** and press "OK" key.
- 2 Select **ON** to activate holiday mode and press "OK" key.
- 3 Set the start year of holiday with "▲▼" keys and press "OK" key.
- 4 Set the start month of holiday with "▲▼" keys and press "OK" key.
- 5 Set the start day of holiday with "▲▼" keys and press "OK" key.
- 6 Set the end year of holiday with "▲▼" keys and press "OK" key.
- 7 Set the end month of holiday with "▲▼" keys and press "OK" key.
- 8 Set the end day of holiday with "▲▼" keys and press "OK" key.
- 9 Return to **HOLIDAY** menu. Exit from the setting by pressing "MENU" key.
- 10 Select **OFF** to deactivate holiday mode and press "OK" key.
- 11 Return to **HOLIDAY** menu. Exit from the setting by pressing "MENU" key.

Long press ▲ 0.5s, increase the numerical value rapidly |  
 Long press ▼ 0.5s, decrease the numerical value rapidly |

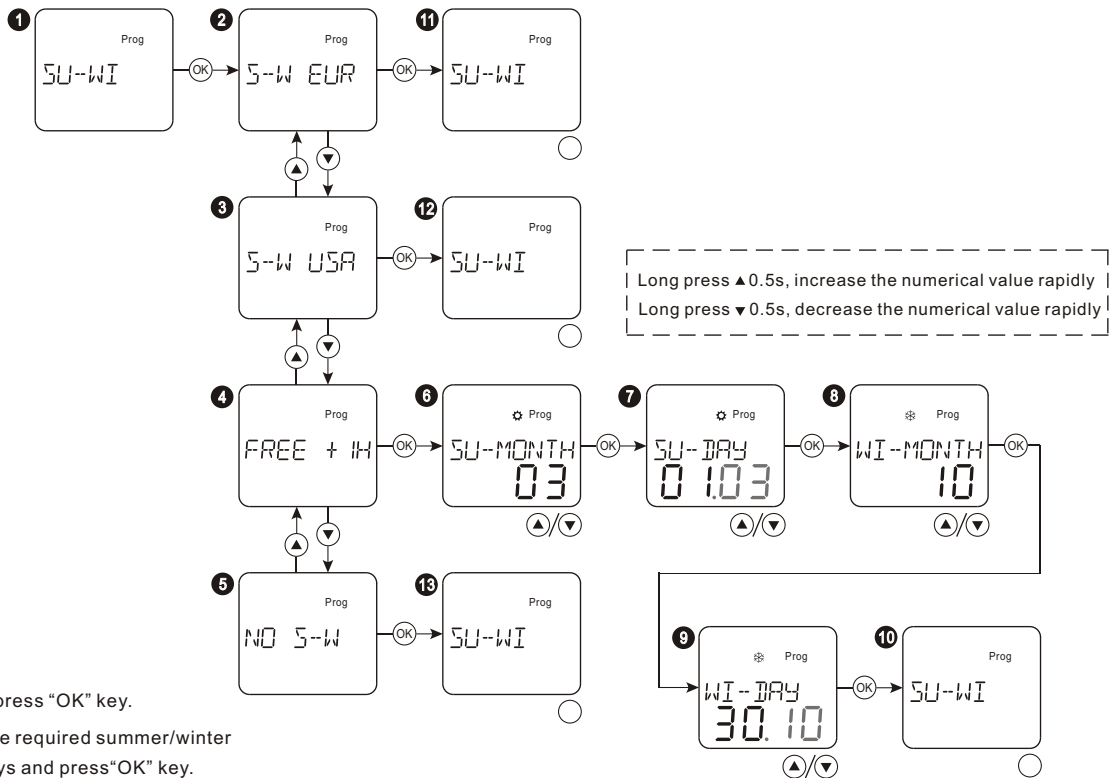
□ Language setting

● Select menu language



- 1 Select **LANGUAGE** and press "OK" key.
- 2 Select the desired language with "▲▼" and press "OK" key
- 3 Exit from the setting by pressing "MENU" key.

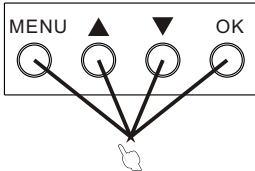
● Switchover Summertime/winter time



- 1 Select **SU-WI** and press "OK" key.
- 2 3 4 5 Select the required summer/winter mode with "▲▼" keys and press "OK" key.
- 6 Set the start month of summer time and press "OK" key.
- 7 Set the start day of summer time and press "OK" key.
- 8 Set the start month of winter time and press "OK" key.
- 9 Set the start day of winter time and press "OK" key.
- 10 11 12 13 Return to last menu by pressing "MENU" key.

Display	Function	Summer switching	Winter switching
S-W EUR	Europe sum/win	Last Sunday in March	Last Sunday in October
S-W USA	U.S.A sum/win	Second Sunday in March	First Sunday in November
FREE + 1H	Free sum/win	Freely programmed	Freely programmed
NO S-W	No sum/win	None	None

□ Reset



Press the four keys simultaneously for 0.5 seconds to reset automatically. The device was restored to factory settings.

□ Keys combination for MANUAL control

○ AUTO/MANUAL



Press "▲▼" keys simultaneously, the output state of channel 1 switches to MANUAL. When the output states of other operation modes was changed, Manual mode exits automatically.

○ PERM ON/PERM OFF

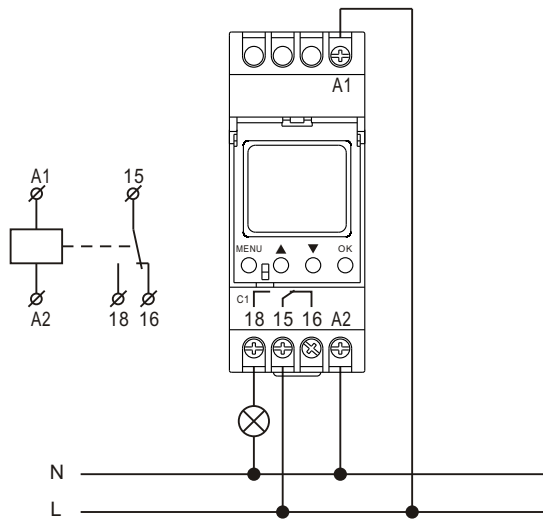


Press "▲▼" keys simultaneously for 2s, the output state of channel 1 switches to PERM ON/PERM OFF. flashes.

>2s

AUTO	AUTO mode
MANUAL	MANUAL mode
PERM ON	PERMANENT ON mode
PERM OFF	PERMANENT ON mode

□ Wiring diagram



□ Dimensions

