

## SAFETY PRECAUTIONS

1. The device must be installed by a qualified person,
2. Disconnect all power before working on the device. Don't touch any terminal when the power is ON.
3. Verify correct terminal connection when wiring.
4. Don't dismantle or repair the device whether it operates normally, otherwise no responsibility is assumed by producer and seller.
5. Never use the device at the site which can be invaded by corrode gas, strong sunshine light and rain.
6. Clean the device with a dry cloth.
7. Fail to follow these instructions will result in serious injury or death.

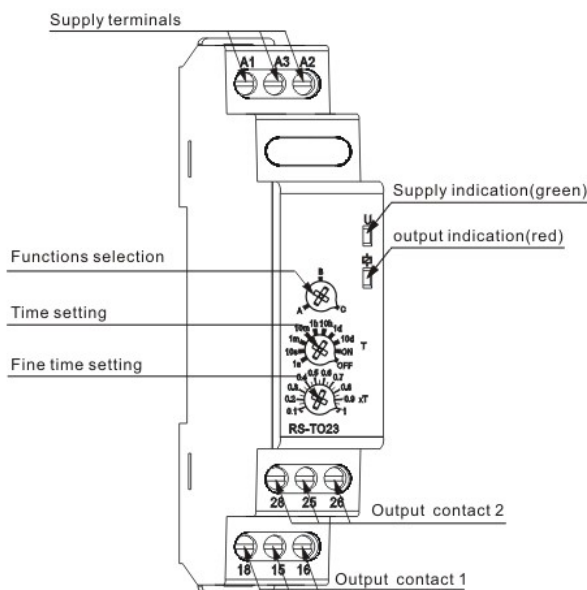
## FEATURES

- Microcontroller based
- 10 time ranges(1s,10s,1m,10m,1h,10h,1d,10d,ON,OFF)
- Repetition accuracy =0.2%
- LED indication for power supply and relay status
- 1 Module Din-rail mounting

## TECHNICAL DATA

Supply voltage	AC/DC 24-240V
Rated frequency	50/60Hz
Time range	0.1s-10days
Setting accuracy	=5%
Repetition accuracy	=0.2%
Output contacts	1 C/O
Current rating	< 10A
Power consumption	0.8w
Insulation voltage	250V
Protection degree	IP20
Pollution degree	3
Electrical life	10 <sup>5</sup>
Mechanical life	10 <sup>6</sup>
Altitude	=2000m
Ambient temperature	-5°C~+40°C
Storage temperature	-10°C~+50°C
Wire size	0.5mm <sup>2</sup> ~2.5mm <sup>2</sup>
Torque	0.5Nm
Mounting	TH-35 DIN-Rail

## APPEARANCE



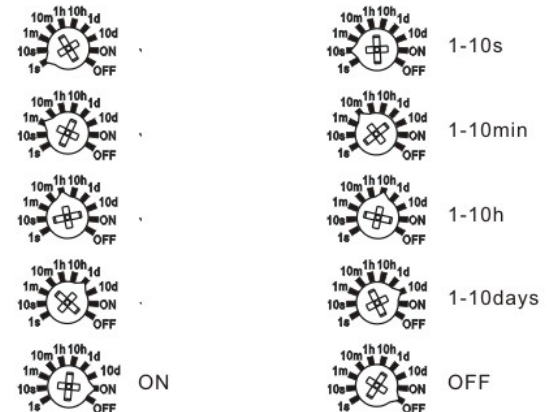
# RS-T023



## MULTIFUNCTION TIME RELAY

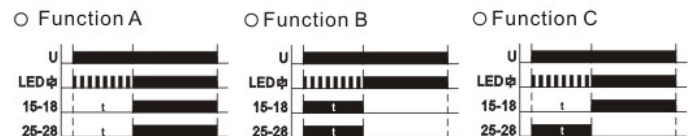
Please read complete instructions prior to installation and operation of the device.

### TIME RANGE

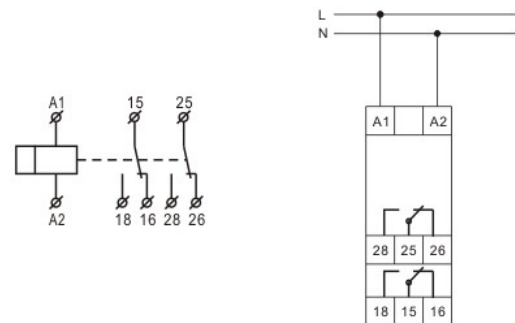


		= min
		day

### FUNCTION DIAGRAM



### WIRING DIAGRAM



### DIMENSIONS

